



FLV SERIES

Visual electrical oil level indicators

The FLV is a visual and electric indicators series, available with or without the thermometer. The FLV range monitors the level and temperature of the fluid. Several sizes and configurations are available to meet every tank requirement.

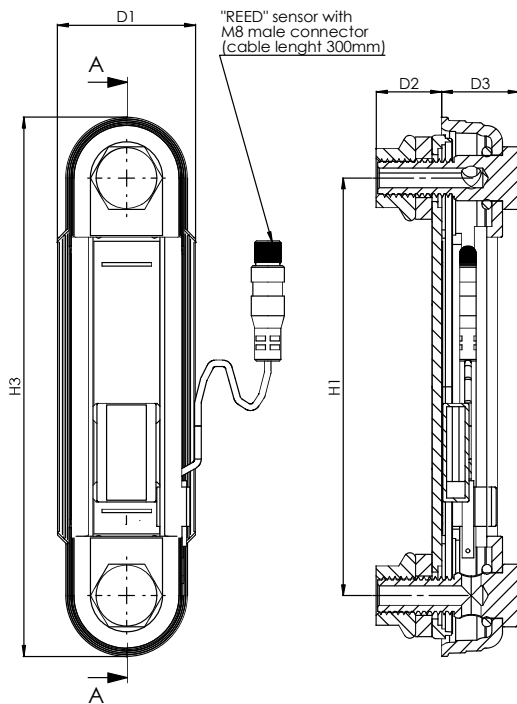


PRESSURE:	Max operating: up to 1 bar
FIXING SCREWS:	Metric – tightening torque 10 Nm
MAX WORKING TEMPERATURE :	- 30° C + 90° C
THERMOMETER:	60°C N.O. or N.C. 70°C N.O. or N.C.
MATERIALS:	<p>SIZE 2 Outer protection: polyamide Body: polyamide Screws: zinc plated Seals: NBR 70 ShA</p> <p>SIZE 3-4-5-6 Outer protection: polyamide Body: polyamide Screws: zinc plated Seals: NBR 70 ShA</p>
FLUID COMPATIBILITY:	Full with HH-HL-HM-HV-HETG-HEES (acc. to ISO 6743/4). For use with other fluid please contact Filtrac Customer Service (info@filtrac.it).

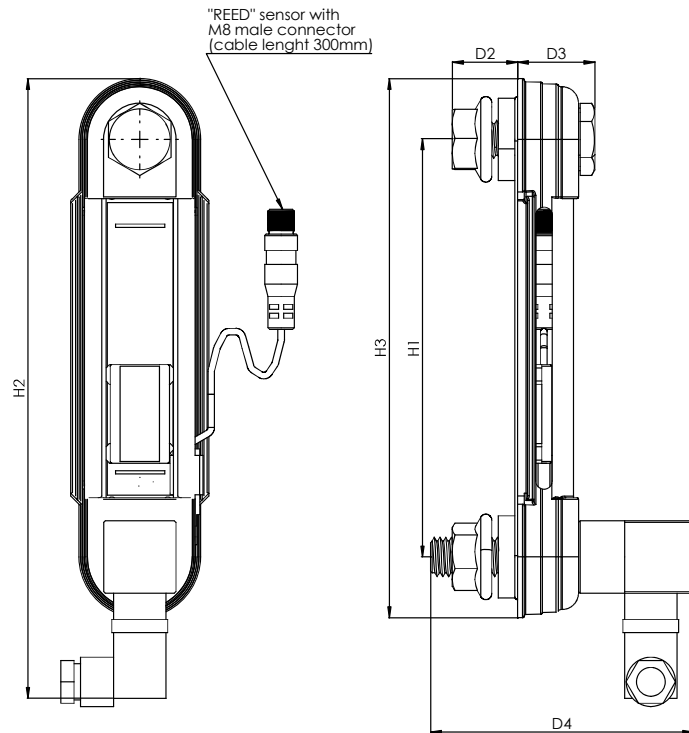
OVERALL DIMENSIONS

SIZE 2

FLV SERIES WITHOUT THERMOMETER



FLV SERIES WITH THERMOMETER

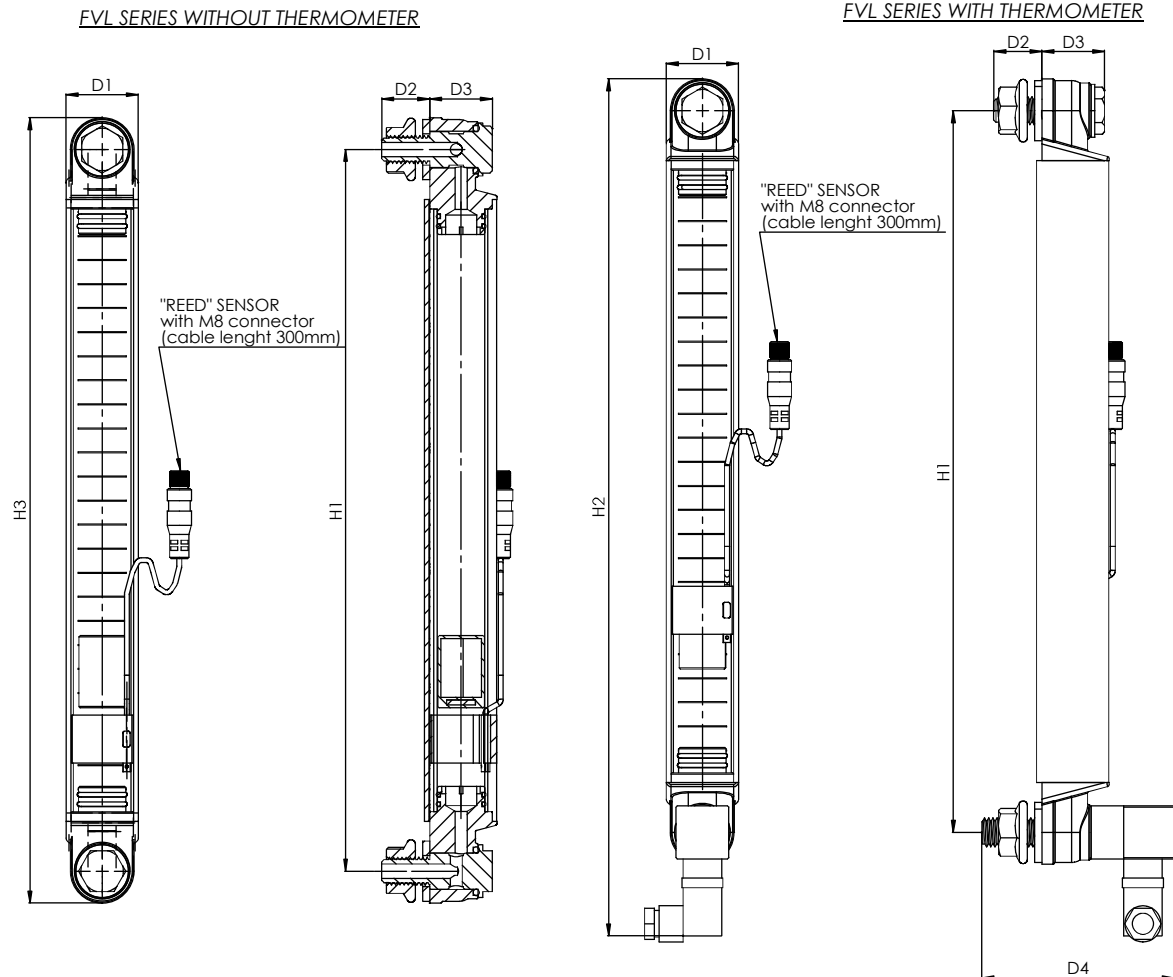


NOMINAL SIZE

CODE	H1	H2	H3	D1	D2	D3	D4	A	WEIGHT
FLV2	127	-	164	127	42	19	-	M12	185
FLV2T	127	188,5	164	127	42	19,5	80	M12	250

OVERALL DIMENSIONS

SIZE 3-4-5-6



NOMINAL SIZE

CODE	H1	H2	H3	D1	D2	D3	D4	A	WEIGHT
FLV3	254	-	284	30	25	26	-	M12	285
FLV3T		314	-				80		385
FLV4	300	-	327				-		300
FLV4T		357	-				80		400
FLV5	400	-	427				-		400
FLV5T		457	-				80		500
FLV6	500	-	527				-		470
FLV6T		557	-				80		570

ORDERING INFORMATION

1.	2.	3.	4.	5.
FLV	3	T60A	A	M12

1. SERIES	FLV	
2. SIZE	2	holes distance 127 mm
	3	holes distance 254 mm
	4	holes distance 300 mm
	5	holes distance 400 mm
	6	holes distance 500 mm
3. THERMOMETER	0	no thermometer
	T60A	with thermometer 60° C N.O.
	T70A	with thermometer 70° C N.O.
	T60B	with thermometer 60° C N.C.
4. LEVEL SWITCH	A	N.O. - Normally open
5. FIXING SCREWS	M12	fixing screws M12

ACCESSORIES

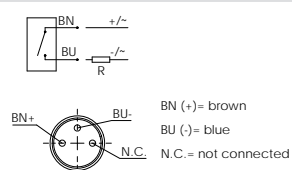
ADDITIONAL REED	REED-NO	FVLR1
ONLY FOR SIZE 3-4-5-6		

ELECTRICAL SPECIFICATIONS

LEVEL SWITCH

Sensor type	REED 2 wires
Supply voltage	3/30 Vac/dc
Electrical contact	N.O. Normally open
Switching current	0.2 A
Power rating	6W
Working temperature	-10°C / 70°C
Protection degree	IP67

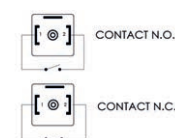
REED SWITCH ELECTRICAL DIAGRAM



MAX TEMPERATURE SWITCH

Sensor type	Bimetal contact
Power supply	AC/DC
Electrical contact	N.O. Normally open N.C. Normally closed
Max applicable voltage	250 Vac 10 A
Connector	DIN 43650
Protection degree	IP67
Calibration	60°C/140°F - 70°C /158°F
Accuracy	±5°C

THERMOMETER ELECTRICAL DIAGRAM



ORDERING INFORMATION	ORDERING CODE
FLV20AM12	04.006.00214
FLV2T60AAM12	04.006.00215
FLV2T70AAM12	04.006.00216
FLV2T60BAM12	04.006.00217
FLV2T70BAM12	04.006.00218
FLV30AM12	04.006.00219
FLV3T60AAM12	04.006.00220
FLV3T70AAM12	04.006.00221
FLV3T60BAM12	04.006.00222
FLV3T70BAM12	04.006.00223
FLV40AM12	04.006.00224
FLV4T60AAM12	04.006.00225
FLV4T70AAM12	04.006.00226
FLV4T60BAM12	04.006.00227
FLV4T70BAM12	04.006.00228
FLV50AM12	04.006.00229
FLV5T60AAM12	04.006.00230
FLV5T70AAM12	04.006.00231
FLV5T60BAM12	04.006.00232
FLV5T70BAM12	04.006.00233
FLV60AM12	04.006.00234
FLV6T60AAM12	04.006.00235
FLV6T70AAM12	04.006.00236
FLV6T60BAM12	04.006.00237
FLV6T70BAM12	04.006.00238