



## PC SERIES

Clogging indicators for suction line and return line with integrated connector

PC/PCS..D



PC/PCS..S



PC/PCS..J



**PRESSURE:** Max operating up to 25 bar

**CONNECTION:** G1/8"

**MATERIALS:** Body: Brass  
Cover and connector: PA66 + G.F.  
Seal: HNBR standard

**SETTINGS ΔP:** **For suction application:**

PCSxx -0,2 ± 10% bar

**For return line application:**

PCBxx 1,3 ± 10% bar

PCCxx 2,0 ± 10% bar

**ELECTRICAL SPECS.:** Contact configuration N.O./N.C.

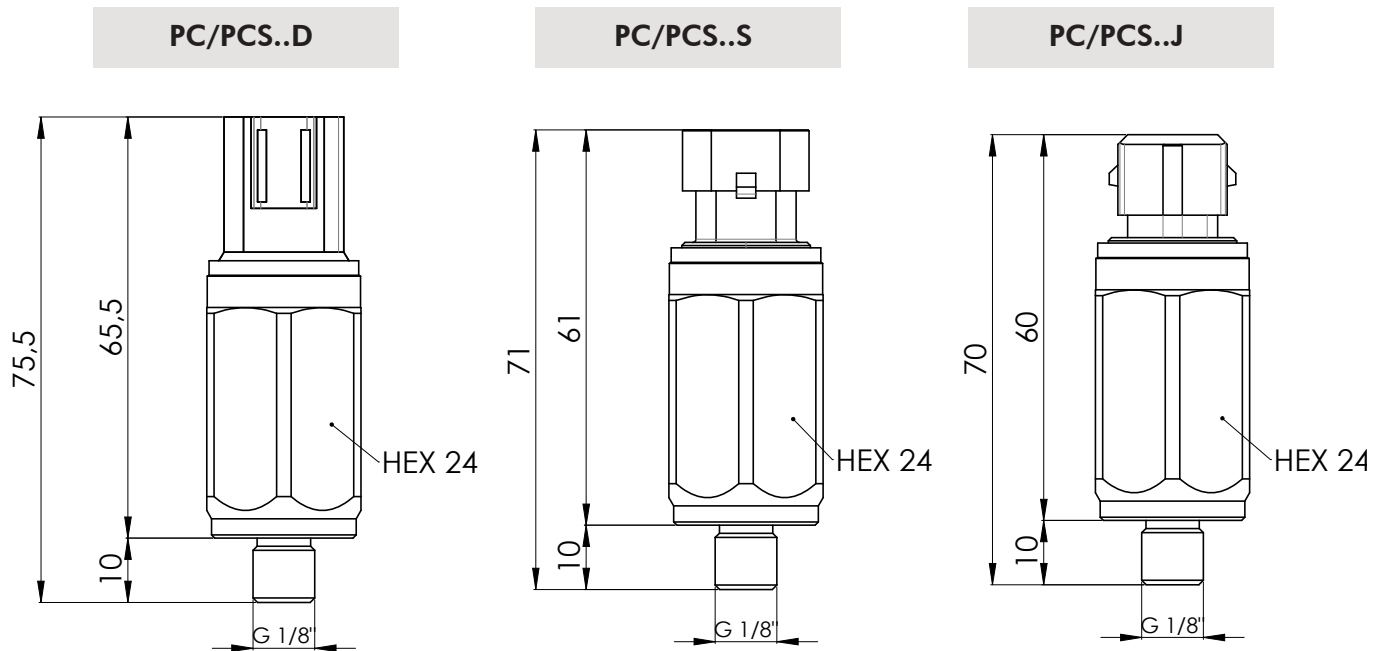
**CONNECTOR TYPE:** Deutsch DT04-2P  
SUPERSEAL 1.5 2 WAY  
JUNIOR POWER TIMER 2 WAY

**DEGREE OF PROTECTION:** IP67 according to EN60529

**OPERATING TEMPERATURE:** -30°C - +100°C

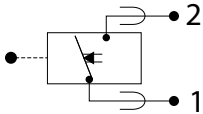
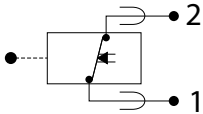
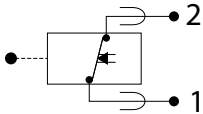
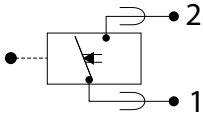
**FLUID COMPATIBILITY:** Full with HH-HL-HM-HV-HETG-HEES-HFA  
HFB-HFC  
(acc. to ISO 6743/4).  
For use with other fluid please contact Filtrec  
Customer Service (info@filtrec.it).

## OVERALL DIMENSIONS



Weight: ~150g




## MECHANICAL CONDITION

$\Delta P$ CONDITION	ELECTRIC SYMBOL N.O.	ELECTRIC SYMBOL N.C.
$P < P_{set}$		
$P \geq P_{set}$		

For more information:

WEB: [FLTR.com.au](http://FLTR.com.au) PHONE: (+61) 1300 62 4020 EMAIL: [info@FLTR.com.au](mailto:info@FLTR.com.au)

**ORDERING INFORMATION / DETAILS**
**INDICATOR FOR APPLICATION ON SUCTION LINE**

ORDER CODE	MODEL	SEALS	VIEW	SETTING	ELECTRICAL SPECS.
04.006.00406	PCSCD		<div style="text-align: center;"> <b>Deutsch DT04-2P</b>   </div>	-0,2 bar	<ul style="list-style-type: none"> <li>• Connector N.C.</li> <li>• Max switching voltage: 48VDC</li> <li>• Max current: 5A resistive 2A inductive</li> <li>• Protection: IP67 EN60529</li> </ul>
		HNBR			
04.006.00410	PCSAD				<ul style="list-style-type: none"> <li>• Connector N.O.</li> <li>• Max switching voltage: 48VDC</li> <li>• Max current: 5A resistive 2A inductive</li> <li>• Protection: IP67 EN60529</li> </ul>
ORDER CODE	MODEL	CONN	VIEW	SETTING	ELECTRICAL SPECS.
04.006.00414	PCSCS		<div style="text-align: center;"> <b>Superseal 1.5 2 Way</b>   </div>	-0,2 bar	<ul style="list-style-type: none"> <li>• Connector N.C.</li> <li>• Max switching voltage: 48VDC</li> <li>• Max current: 5A resistive 2A inductive</li> <li>• Protection: IP67 EN60529</li> </ul>
		HNBR			
04.006.00418	PCSAS				<ul style="list-style-type: none"> <li>• Connector N.O.</li> <li>• Max switching voltage: 48VDC</li> <li>• Max current: 5A resistive 2A inductive</li> <li>• Protection: IP67 EN60529</li> </ul>
ORDER CODE	MODEL	CONN	VIEW	SETTING	ELECTRICAL SPECS.
04.006.00422	PCSCJ		<div style="text-align: center;"> <b>Junior Timer 2 Way</b>   </div>	-0,2 bar	<ul style="list-style-type: none"> <li>• Connector N.C.</li> <li>• Max switching voltage: 48VDC</li> <li>• Max current: 5A resistive 2A inductive</li> <li>• Protection: IP67 EN60529</li> </ul>
		HNBR			
04.006.00426	PCSAJ				<ul style="list-style-type: none"> <li>• Connector N.O.</li> <li>• Max switching voltage: 48VDC</li> <li>• Max current: 5A resistive 2A inductive</li> <li>• Protection: IP67 EN60529</li> </ul>




10 Nm - See hydraulic filter catalogues


For more information:

WEB: FLTR.com.au PHONE: (+61) 1300 62 4020 EMAIL: info@FLTR.com.au

**ORDERING INFORMATION / DETAILS**
**INDICATOR FOR APPLICATION ON RETURN LINE**

ORDER CODE	MODEL	SEALS	VIEW	SETTING	ELECTRICAL SPECS.
04.006.00179	<b>PCBCD</b>	<b>HNBR</b>		1,3	<ul style="list-style-type: none"> <li>• Connector N.C.</li> <li>• Max switching voltage: 48VDC</li> <li>• Max current: 5A resistive 2A inductive</li> <li>• Protection: IP67 EN60529</li> </ul>
04.006.00181	<b>PCCCD</b>			2,0	
04.006.00180	<b>PCBAD</b>			1,3	<ul style="list-style-type: none"> <li>• Connector N.O.</li> <li>• Max switching voltage: 48VDC</li> <li>• Max current: 5A resistive 2A inductive</li> <li>• Protection: IP67 EN60529</li> </ul>
04.006.00182	<b>PCCAD</b>			2,0	

ORDER CODE	MODEL	SEALS	VIEW	SETTING	ELECTRICAL SPECS.
04.006.00436	<b>PCBCS</b>	<b>HNBR</b>		1,3	<ul style="list-style-type: none"> <li>• Connector N.C.</li> <li>• Max switching voltage: 48VDC</li> <li>• Max current: 5A resistive 2A inductive</li> <li>• Protection: IP67 EN60529</li> </ul>
04.006.00439	<b>PCCCS</b>			2,0	
04.006.00442	<b>PCBAS</b>			1,3	<ul style="list-style-type: none"> <li>• Connector N.O.</li> <li>• Max switching voltage: 48VDC</li> <li>• Max current: 5A resistive 2A inductive</li> <li>• Protection: IP67 EN60529</li> </ul>
04.006.00445	<b>PCCAS</b>			2,0	

ORDER CODE	MODEL	SEALS	VIEW	SETTING	ELECTRICAL SPECS.
04.006.00448	<b>PCBCJ</b>	<b>HNBR</b>		1,3	<ul style="list-style-type: none"> <li>• Connector N.C.</li> <li>• Max switching voltage: 48VDC</li> <li>• Max current: 5A resistive 2A inductive</li> <li>• Protection: IP67 EN60529</li> </ul>
04.006.00451	<b>PCCCJ</b>			2,0	
04.006.00454	<b>PCBAJ</b>			1,3	<ul style="list-style-type: none"> <li>• Connector N.O.</li> <li>• Max switching voltage: 48VDC</li> <li>• Max current: 5A resistive 2A inductive</li> <li>• Protection: IP67 EN60529</li> </ul>
04.006.00457	<b>PCCAJ</b>			2,0	



10 Nm - See hydraulic filter catalogues

For more information:

WEB: FLTR.com.au PHONE: (+61) 1300 62 4020 EMAIL: info@FLTR.com.au

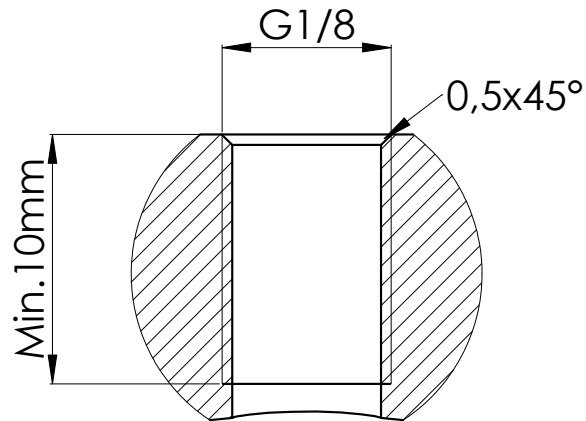
## INDICATOR SEAT

---

---

PC...

---



---

Dimensions and tolerances available on request

---

## USER INFORMATION

---

**WARNING:** in **cold start** conditions a false alarm can be caused by higher oil viscosity due to low temperature; the indicator alarm must be considered at normal working temperature only.

### OPTIONAL VERSION

Subject to MOQ our differential indicators type PC... can be supplied in special versions like ATEX or with different connectors.

Contact our Customer Service for further information.

## APPLICATION

The following table shows the type of indicator available according to the filter used.

APPLICATION	FILTER CODE	INDICATOR MODEL	
		PCS..	PCB../PCC..
RETURN	<b>FR6</b>		X
	<b>FRM</b>		X
	<b>FRP</b>		X
	<b>FRT</b>		X
	<b>FA1</b>		X
	<b>FA2</b>		X
	<b>FCR7F1X</b>		X
	<b>FCR7F2X</b>		X
	<b>FCR7F3X</b>		X
	<b>FAH</b>		X
	<b>FA5</b>		X
SUCTION	<b>FS1</b>	X	
	<b>FS7</b>	X	
	<b>FS5</b>	X	
	<b>FA1</b>	X	