



PW SERIES

Clogging indicators for suction line and return line with cable and connector



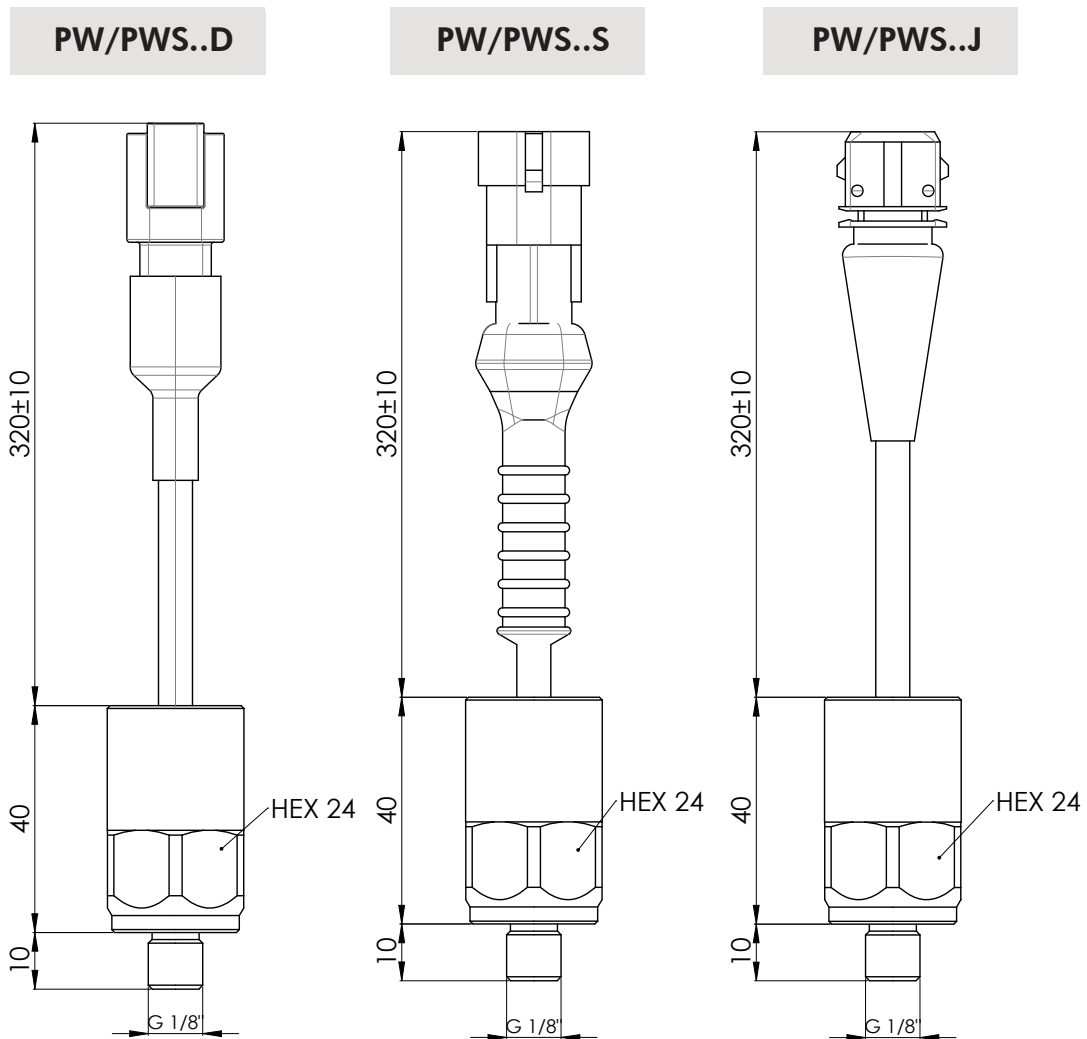
PW
PWS..J

PW
PWS..D

PW
PWS..S

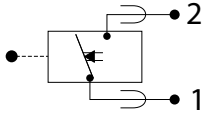
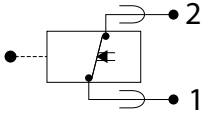
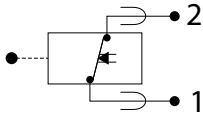
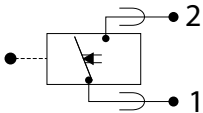
PRESSURE:	Max operating up to 25 bar
CONNECTION:	G 1/8"
MATERIALS:	Body: Brass Cover and connector: PA66 + G.F. Seal: HNBR standard
SETTINGS ΔP :	For suction application: PWSxx -0,2 \pm 10% bar For return line application: PWBxx 1,3 \pm 10% bar PWCxx 2,0 \pm 10% bar
ELECTRICAL SPECS.:	Contact configuration N.O./N.C.
CONNECTOR TYPE:	Deutsch DT04-2P SUPERSEAL 1.5 2 WAY JUNIOR POWER TIMER 2 WAY
DEGREE OF PROTECTION:	IP67 according to EN60529
OPERATING TEMPERATURE:	-30°C - +100°C
FLUID COMPATIBILITY:	Full with HH-HL-HM-HV-HETG-HEES-HFA HFB-HFC (acc. to ISO 6743/4). For use with other fluid please contact Filtrec Customer Service (info@filtrec.it).

OVERALL DIMENSIONS






Weight: ~210g

MECHANICAL CONDITION

ΔP CONDITION	ELECTRIC SYMBOL N.O.	ELECTRIC SYMBOL N.C.
$P < P_{set}$		
$P \geq P_{set}$		

ORDERING INFORMATION / DETAILS
INDICATOR FOR APPLICATION ON SUCTION LINE

ORDER CODE	MODEL	SEALS	VIEW	SETTING	ELECTRICAL SPECS.
04.006.00552	PWSCD		<div style="text-align: center;"> Deutsch DT04-2P  </div>	-0,2 bar	<ul style="list-style-type: none"> • Connector N.C. • Max switching voltage: 48VDC • Max current: 0,5A resistive 0,2A inductive • Protection: IP67 EN60529
		HNBR			
04.006.00553	PWSAD				<ul style="list-style-type: none"> • Connector N.O. • Max switching voltage: 48VDC • Max current: 0,5A resistive 0,2A inductive • Protection: IP67 EN60529
ORDER CODE	MODEL	CONN	VIEW	SETTING	ELECTRICAL SPECS.
04.006.00554	PWSCS		<div style="text-align: center;"> Superseal 1.5 2 Way  </div>	-0,2 bar	<ul style="list-style-type: none"> • Connector N.C. • Max switching voltage: 48VDC • Max current: 0,5A resistive 0,2A inductive • Protection: IP67 EN60529
		HNBR			
04.006.00555	PCSAS				<ul style="list-style-type: none"> • Connector N.O. • Max switching voltage: 48VDC • Max current: 0,5A resistive 0,2A inductive • Protection: IP67 EN60529
ORDER CODE	MODEL	CONN	VIEW	SETTING	ELECTRICAL SPECS.
04.006.00556	PWSCJ		<div style="text-align: center;"> Junior Timer 2 Way  </div>	-0,2 bar	<ul style="list-style-type: none"> • Connector N.C. • Max switching voltage: 48VDC • Max current: 0,5A resistive 0,2A inductive • Protection: IP67 EN60529
		HNBR			
04.006.00557	PWSAJ				<ul style="list-style-type: none"> • Connector N.O. • Max switching voltage: 48VDC • Max current: 0,5A resistive 0,2A inductive • Protection: IP67 EN60529




10 Nm - See hydraulic filter catalogues


For more information:

WEB: FLTR.com.au PHONE: (+61) 1300 62 4020 EMAIL: info@FLTR.com.au

ORDERING INFORMATION / DETAILS
INDICATOR FOR APPLICATION ON RETURN LINE

ORDER CODE	MODEL	SEALS	VIEW	SETTING	ELECTRICAL SPECS.
04.006.00261	PWBCD	HNBR	 Deutsch DT04-2P	1,3	<ul style="list-style-type: none"> • Connector N.C. • Max switching voltage: 48VDC • Max current: 0,5A resistive 0,2A inductive • Protection: IP67 EN60529
04.006.00262	PWCCD			2,0	
04.006.00460	PWBAD			1,3	
04.006.00492	PWCAD			2,0	

ORDER CODE	MODEL	SEALS	VIEW	SETTING	ELECTRICAL SPECS.
04.006.00495	PWBCS	HNBR	 Superseal 1.5 2 Way	1,3	<ul style="list-style-type: none"> • Connector N.C. • Max switching voltage: 48VDC • Max current: 0,5A resistive 0,2A inductive • Protection: IP67 EN60529
04.006.00498	PWCCS			2,0	
04.006.00501	PWBAS			1,3	
04.006.00504	PWCAS			2,0	

ORDER CODE	MODEL	SEALS	VIEW	SETTING	ELECTRICAL SPECS.
04.006.00507	PWBCJ	HNBR	 Junior Timer 2 Way	1,3	<ul style="list-style-type: none"> • Connector N.C. • Max switching voltage: 48VDC • Max current: 0,5A resistive 0,2A inductive • Protection: IP67 EN60529
04.006.00510	PWCCJ			2,0	
04.006.00513	PWBAJ			1,3	
04.006.00516	PWCAJ			2,0	



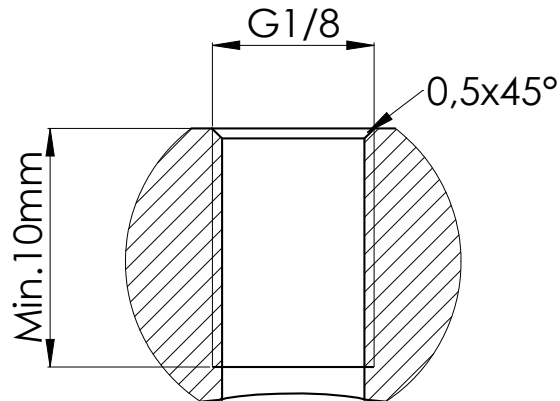
10 Nm - See hydraulic filter catalogues

For more information:

WEB: FLTR.com.au PHONE: (+61) 1300 62 4020 EMAIL: info@FLTR.com.au

INDICATOR SEAT

PW...



Dimensions and tolerances available on request

USER INFORMATION

WARNING: in **cold start** conditions a false alarm can be caused by higher oil viscosity due to low temperature; the indicator alarm must be considered at normal working temperature only.

OPTIONAL VERSION

Subject to MOQ our differential indicators type PW... can be supplied in special versions like ATEX or with different connectors.

Contact our Customer Service for further information.

APPLICATION

The following table shows the type of indicator available according to the filter used.

APPLICATION	FILTER CODE	INDICATOR MODEL	
		PWS	PWB/PWC
RETURN	FR6		X
	FRM		X
	FRP		X
	FRT		X
	FA1		X
	FA2		X
	FCR7F1X		X
	FCR7F2X		X
	FCR7F3X		X
	FAH		X
	FA5		X
SUCTION	FS1	X	
	FS7	X	
	FS5	X	
	FA1	X	